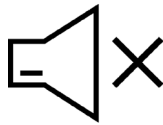




Racks

Stagnoli since 1981

Advantages and technical characteristics



Silence

Compared to metal, nylon racks are much quieter because the teeth undergo thermal expansion of the material, compensating for any misalignments in rotation. In addition, they have the ability to absorb vibrations. This is due to the intrinsic nature of technopolymers, and of plastics in general, which allow to dampen noise and therefore reduce the transmission of vibrations.



Self-lubrication

The molecular structure of the nylon guarantees such a low coefficient of friction and wear that lubrication is not necessary.



Lightness

Another advantage offered by nylon racks, but no less important, is the low specific weight, which makes the transmission part in plastic much lighter than those in metal, consequently increasing the fields of application in sectors where minimization is required. . weight, with the consequence of being able to optimize shipping and logistics costs.



Weather resistant

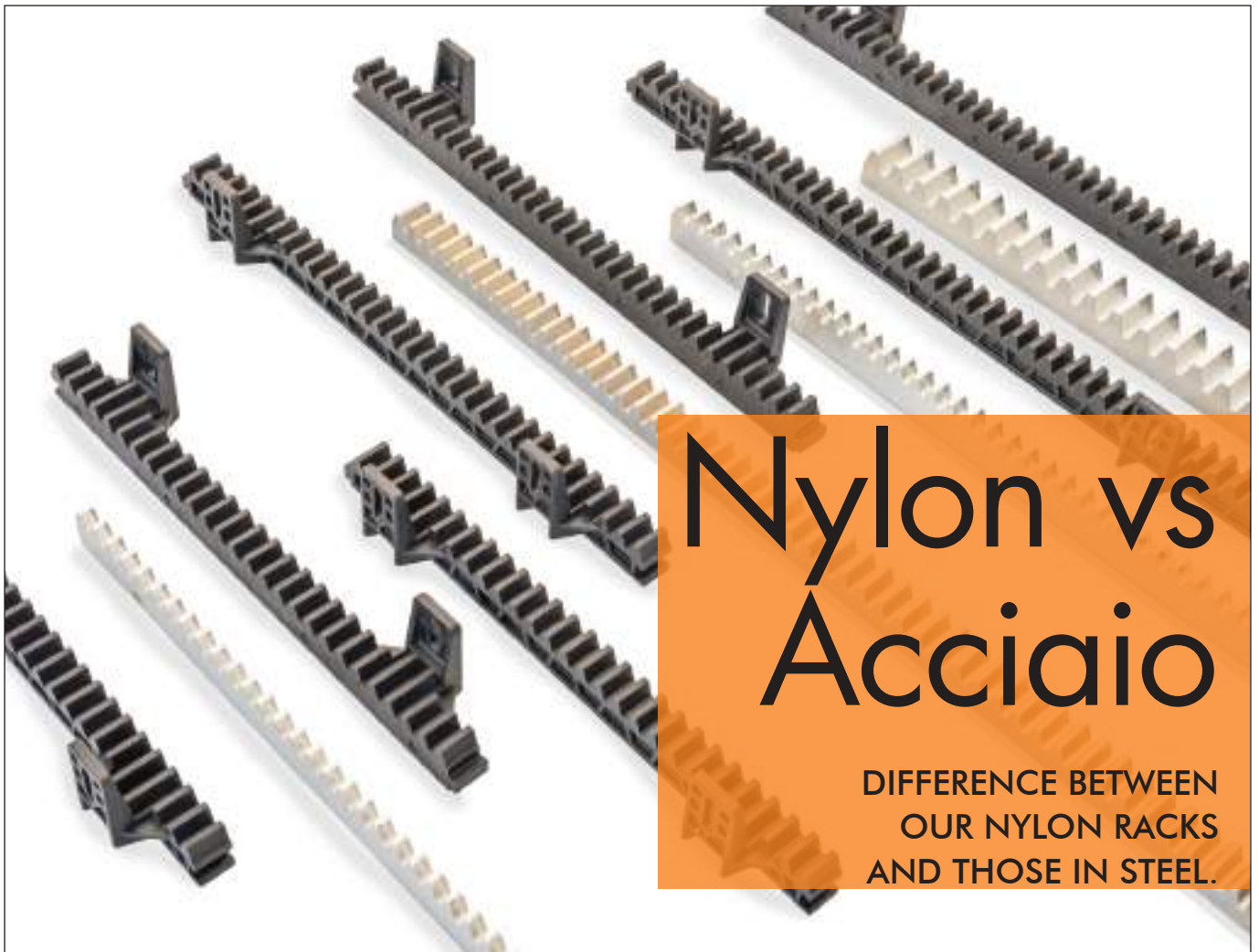
The characteristics of the materials and the appropriate measures adopted in the design stage are able to guarantee correct operation even in adverse weather conditions:

- thermal changes within the range of operating temperatures indicated for each product, the sudden temperature change does not create problems thanks to the toughness of the materials used;
- presence of water or humidity which can give rise to hydrolysis processes and absorption of a certain percentage of water / humidity, with relative modification of some mechanical properties of the material.



Economic

The experience and particular attention in the design phase allow us to maintain a cost band that tends to be much lower than the steel rack.

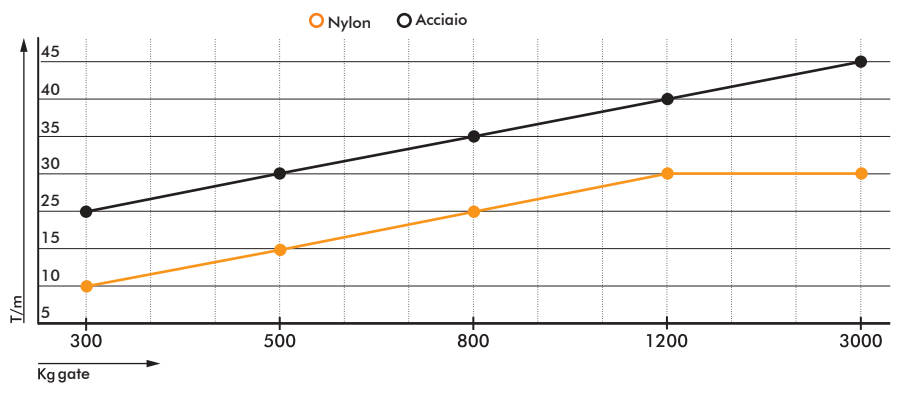


Nylon vs Acciaio

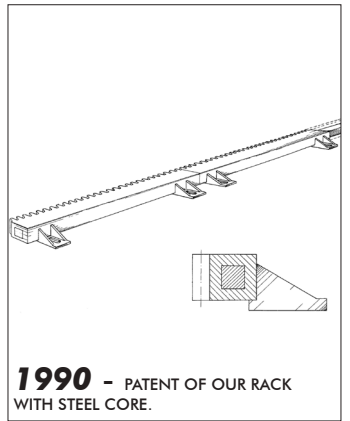
DIFFERENCE BETWEEN OUR NYLON RACKS AND THOSE IN STEEL.

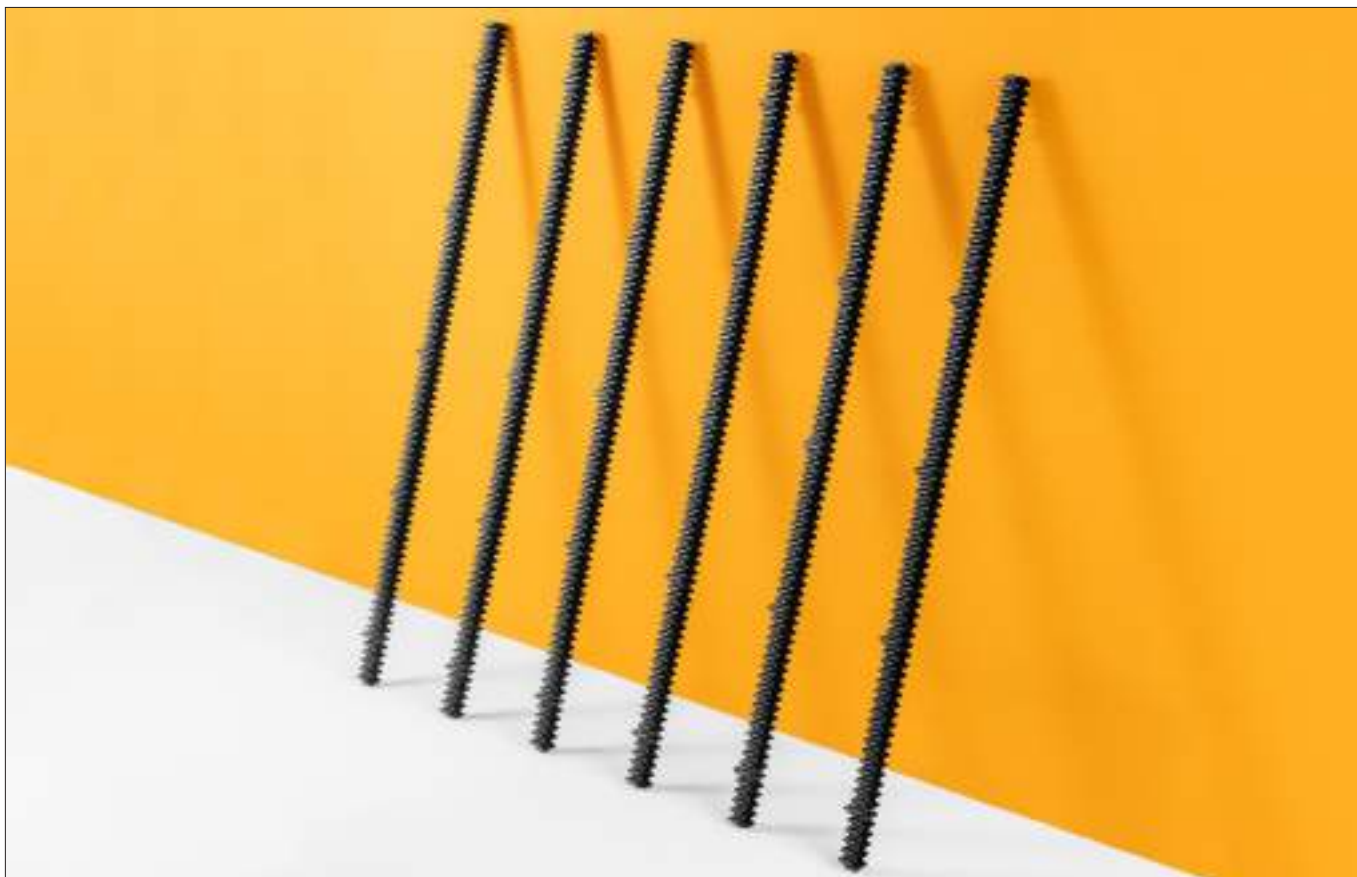
Our range of gate shelving consists of numerous models, satisfy to satisfy the needs of any professional and any type of gate, such as those in light aluminum or industrial ones. In particular, since 1981, Stagnoli has been producing nylon racks with capacities up to 1200kg

Unlike the iron ones, the nylon racks guarantee several advantages: lightness, absence of lubrication, absence of rust and noiselessness are just some of the advantages of this Material. Furthermore, with the nylon rack, it is not necessary to carry out any welding, which is instead required by the iron racks and which makes the assembly and maintenance process more cumbersome. Stagnoli guarantees an efficient service to its customers, treat yourself of the realization of your own



racks for gates, from the choice of raw materials to the definition of the molding process and quality tests. The constant monitoring of every detail during the production phases allows the creation of a product of excellent quality and completely Made in Italy. Furthermore, the use of cutting-edge technologies and in-depth design research make our proposal the best solution for every sector and for any plant.

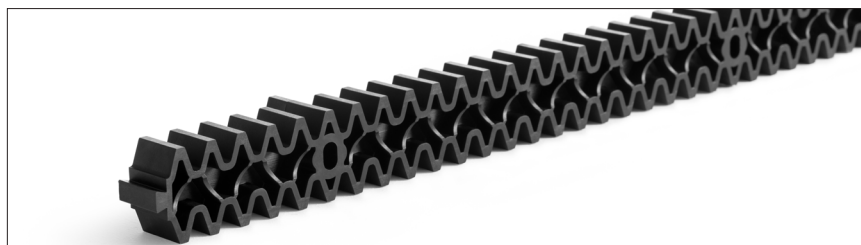




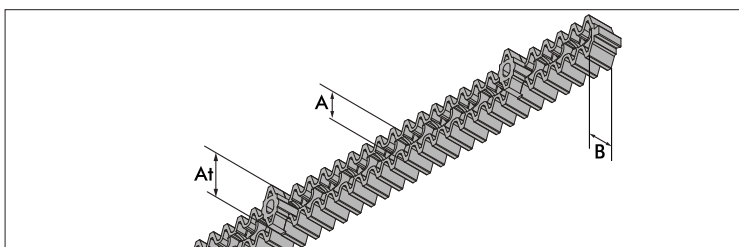
Racks **without steel core**, entirely in technopolymer that does not compromise straightness and linearity despite its length is equal to 1 meter, this thanks to the geometries designed to cancel the deformations.

The presence of 5 central attachments and double toothing allows the use of the rack in both directions without distinction making it perfectly symmetrical. Thanks to continuous research and development on plastic materials, this rack is tested for gates with a maximum capacity of **500Kg**.

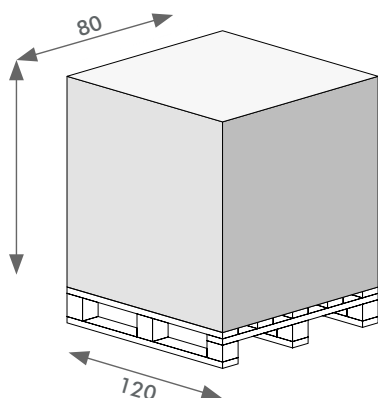
New racks **ACRN5**



Product details



Technical detail



PALLET DIMENSIONS

1020 mt - h 100 cm

ACRN5	
Width:	20 mm
Partial height:	14 mm
Total height:	32 mm
Length:	1000 x 6=(6000)mm
Weight:	0,36x6=(2,16)kg
Capacity:	500 Kg
Number of junctions:	5

S6-1200

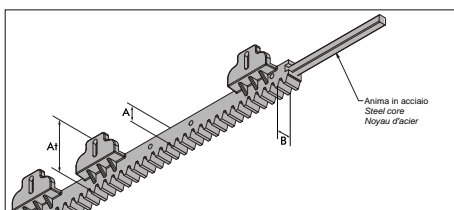
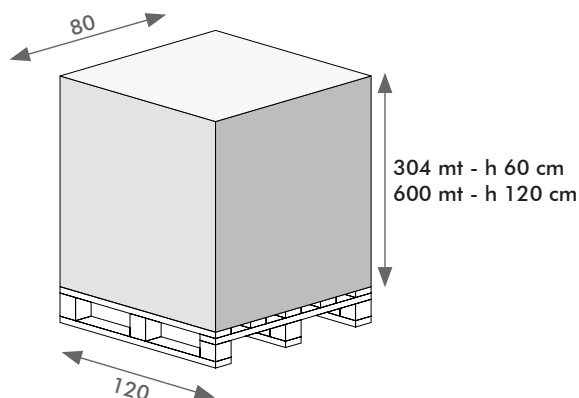
RACK M4x1000 COLOR GREY

with superior overlapping in pieces for gates weighing a maximum of 1200 Kg, given the reinforced hooks and the special material used.

AVAILABLE ACCESSORIES

- SAC014
- ACRFF
- ACRCUN

PALLET DIMENSIONS



Technical detail



Product details

S6-1200

Width:	20 mm
Partial height:	28 mm
Total height:	60 mm
Lenght:	1.000 mm
Weight:	1.336 g
Capacity:	1.200 Kg
Number of junctions:	6

Steel core



V6-1200

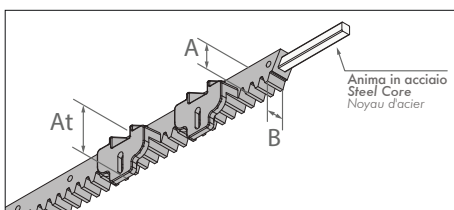
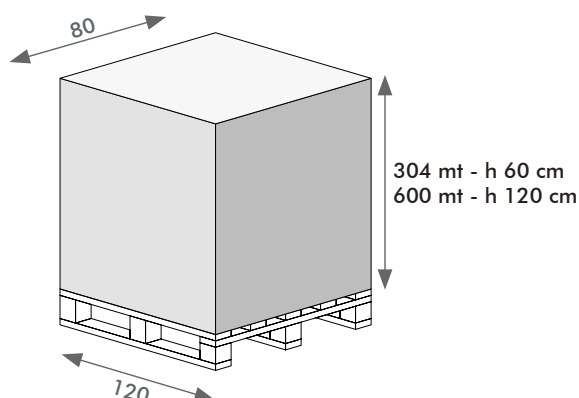
RACK M4x1000 COLOR GREY

with lower overlapping in pieces for gates weighing a maximum of 1200 Kg, given the reinforced hooks and the special material used.

AVAILABLE ACCESSORIES

- SAC014
- ACRFF
- ACRCUN

PALLET DIMENSIONS



Technical detail



Product details

V6-1200

Width:	20 mm
Partial height:	28 mm
Total height:	60 mm
Lenght:	1.000 mm
Weight:	1.336 g
Capacity:	1.200 Kg
Number of junctions:	6

Steel core



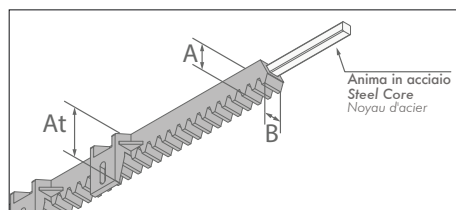


ACRV6

M4X1000 MM GREY COLOUR RACK
with six lower overlapping Max 800 Kg.

AVAILABLE ACCESSORIES

- SAC012
- ACRFF
- ACRSCUN

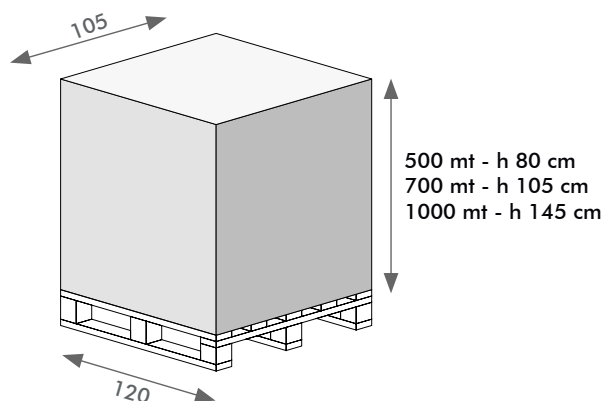


Technical detail



Product details

PALLET DIMENSIONS



ACRV6

Width:	20 mm
Partial height:	28 mm
Total height:	60 mm
Length:	1.000 mm
Weight:	1.328 g
Capacity:	800 Kg
Number of junctions:	6

Steel core

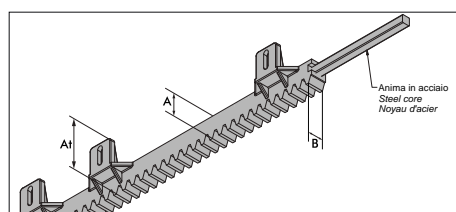


ACRS6

M4X1000 MM GREY COLOUR RACK
with six superior overlapping Max 800 Kg

AVAILABLE ACCESSORIES

- SAC012
- ACRFF
- ACRSCUN

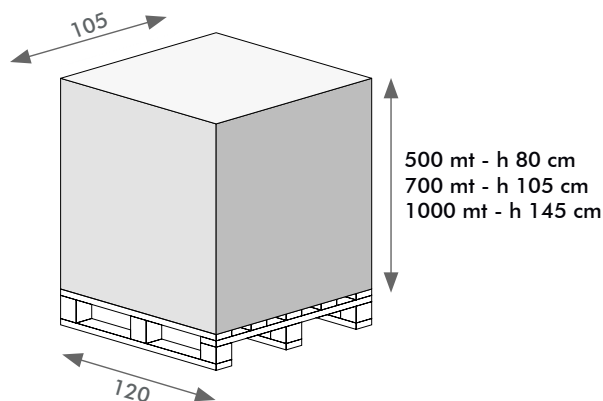


Technical detail



Product details

PALLET DIMENSIONS



ACRS6

Width:	20 mm
Partial height:	28 mm
Total height:	60 mm
Length:	1.000 mm
Weight:	1.318 g
Capacity:	800 Kg
Number of junctions:	6

Steel core

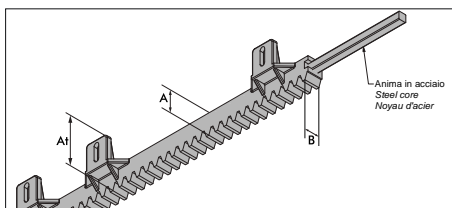


ACRS6N

M4X1000 MM GREY COLOUR RACK
with six superior overlapping Max 800 Kg

AVAILABLE ACCESSORIES

- SAC012
- ACRFF
- ACRCUN

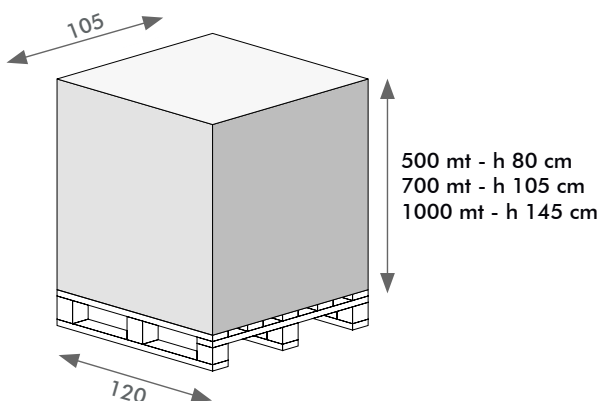


Technical detail



Product details

PALLET DIMENSIONS



ACRS6N	
Width:	20 mm
Partial height:	28 mm
Total height:	60 mm
Lenght:	1.000 mm
Weight:	1.318 g
Capacity:	800 Kg
Number of junctions:	6

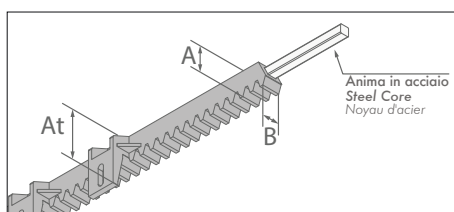


ACRN6

M4X1000 MM BLACK COLOUR RACK
with six lower overlapping Max 700 Kg.

AVAILABLE ACCESSORIES

- SAC012
- ACRFF
- ACRCUN

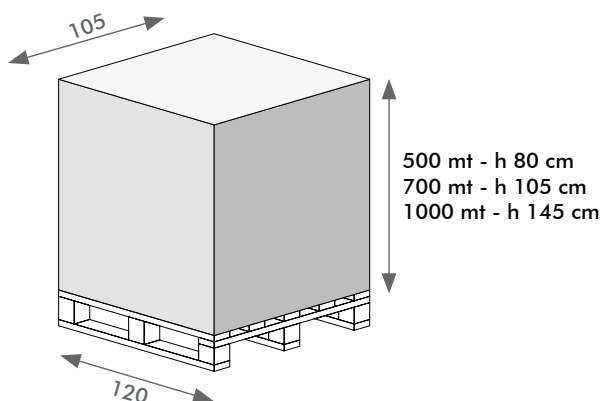


Technical detail



Product details

PALLET DIMENSIONS



ACRN6	
Width:	20 mm
Partial height:	28 mm
Total height:	60 mm
Lenght:	1.000 mm
Weight:	1.328 g
Capacity:	700 Kg
Number of junctions:	6



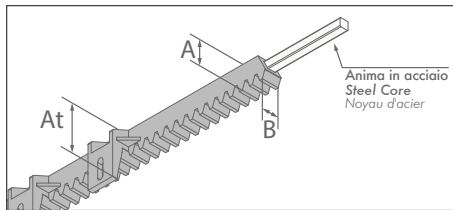


N6C

M4X1000 MM BLACK COLOUR RACK
with six lower overlapping and dovetail
alignment system Max 700 Kg.

AVAILABLE ACCESSORIES

- SAC012
- ACRFF
- ACRSCUN

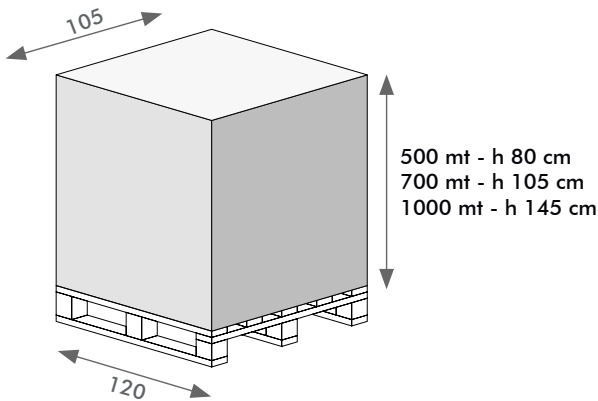


Technical detail



Product details

PALLET DIMENSIONS



N6C

Width:	20 mm
Partial height:	28 mm
Total height:	60 mm
Lenght:	1.000 mm
Weight:	1.328 g
Capacity:	700 Kg
Number of junctions:	6

Steel core



Dovetail alignment system

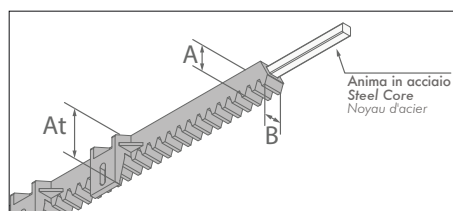


ACRV4

M4X1000 MM GREY COLOUR RACK
with four lower overlapping Max 500 Kg.

AVAILABLE ACCESSORIES

- SAC013
- ACRFF
- ACRSCUN

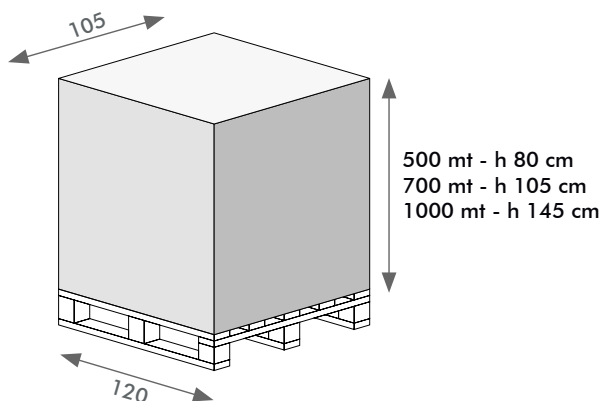


Technical detail



Product details

PALLET DIMENSIONS



ACRV4

Width:	20 mm
Partial height:	28 mm
Total height:	60 mm
Lenght:	1.000 mm
Weight:	1.318 g
Capacity:	500 Kg
Number of junctions:	4

Steel core



Dovetail alignment system

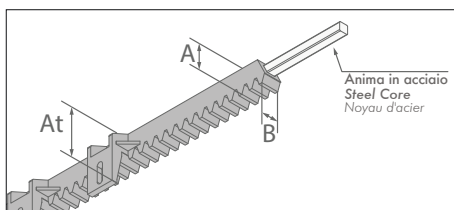


ACRN4

M4X1000 MM BLACK COLOUR RACK
with four lower overlapping Max 400 Kg.

AVAILABLE ACCESSORIES

- SAC013
- ACRFF
- ACRSCUN

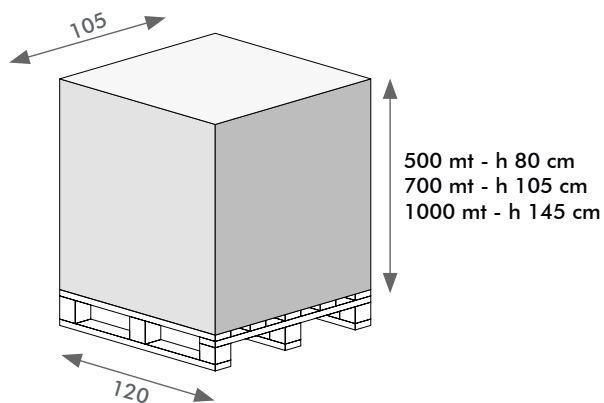


Technical detail



Product details

PALLET DIMENSIONS



ACRN4	
Width:	20 mm
Partial height:	28 mm
Total height:	60 mm
Lenght:	1.000 mm
Weight:	850 g
Capacity:	400 Kg
Number of junctions:	4

Steel core



Dovetail alignment system

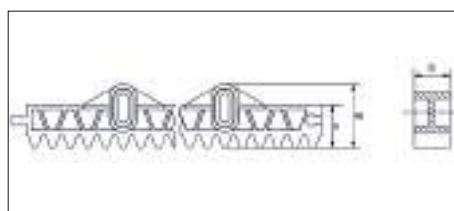


ACRV33

THREE PIECES M4X333 MM GREY COLOUR RACK (not packed)
Max 300 Kg.

AVAILABLE ACCESSORIES

- SAC012
- ACRFF
- ACRSCUN

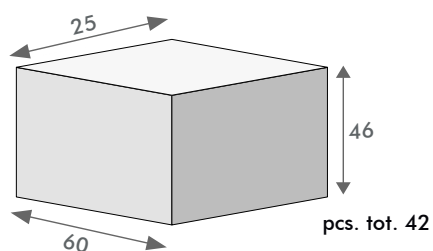


Technical detail



Product details

PACKAGING DIMENSIONS



ACRV33	
Width:	20 mm
Partial height:	30 mm
Total height:	45 mm
Lenght:	999=(333X3) mm
Weight:	446=(148,6X3) g
Capacity:	300 Kg
Number of junctions:	6=(2x3)



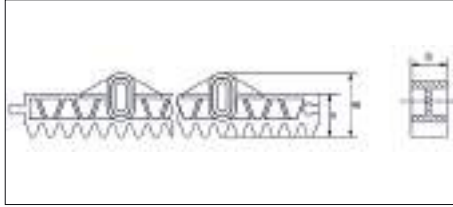
ACFCR333VP

M4X333 MM GREY COLOUR RACK

(two-meter packages with self drilling-screws)

AVAILABLE ACCESSORIES

- SAC012
- ACRFF
- ACRSCUN

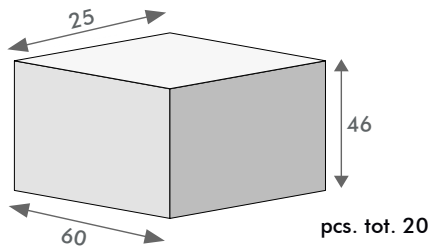


Technical detail



Product details

PACKAGING DIMENSIONS



ACFCR333VP

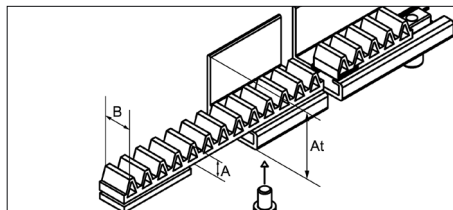
Width:	20 mm
Partial height:	30 mm
Total height:	45 mm
Length:	1.998=(333X6) mm
Weight:	892=(148,6x6)g
Capacity:	300 Kg
Number of junctions:	6=(2x3)

ACR20B

M4X3000 MM RACK WITH NOT ANODIZED ALUMINIUM SUPPORT for lower fixing Max 300 Kg.

AVAILABLE ACCESSORIES

- ACRFF
- ACRSCUN

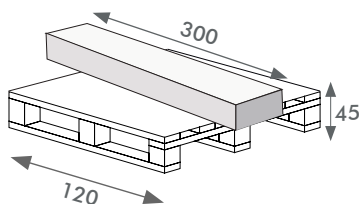


Technical detail



Product details

PALLET DIMENSIONS



Delivery on pallet of single pcs. from 3,000 mm

ACR20B

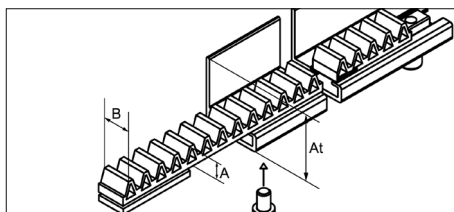
Width:	20 mm
Partial height:	15 mm
Total height:	48 mm
Length:	3.000 mm
Weight:	3.335 g
Capacity:	300 Kg
Number of junctions:	0

ACRV20BL

M4X3000 MM RACK WITH PRE-BORED ALUMINIUM SUPPORT with six holes (15x8 mm).

AVAILABLE ACCESSORIES

- SAC012
- ACRFF
- ACRSCUN

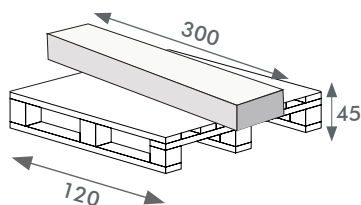


Technical detail



Product details

PALLET DIMENSIONS



Delivery on pallet of single pcs. from 3,000mm

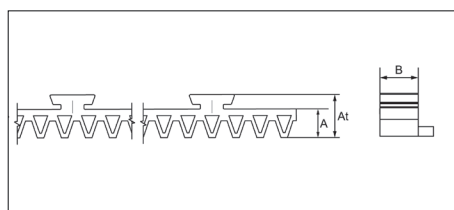
ACRV20BL	
Width:	20 mm
Partial height:	15 mm
Total height:	48 mm
Lenght:	3.000 mm
Weight:	3.335 g
Capacity:	300 Kg
Number of junctions:	7

AKTCSSP1

Two fibre-glass nylon racks **M4X1000 mm** for aluminium profile

AVAILABLE ACCESSORIES

- ACRFF
- ACRSCUN

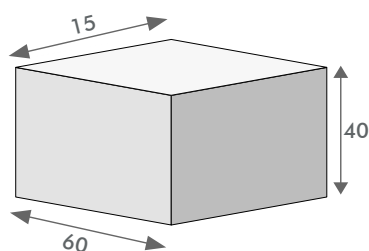


Technical detail



Product details

PACKAGING DIMENSIONS



2pz. x 500mm
pcs.tot. 60

AKTCSSP1	
Width:	20 mm
Partial height:	15 mm
Total height:	21 mm
Lenght:	978=(489X2)mm
Weight:	280=(140x2)g
Capacity:	300 Kg
Number of junctions:	0

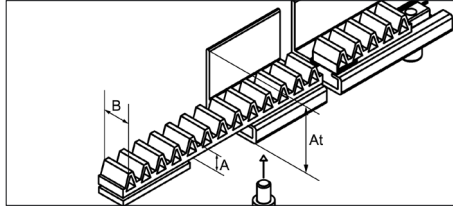


ACRS20Z

M4X1000 RACKS AND GALVANIZED STEEL SUPPORT for upper fix holes. Max 300 Kg.

AVAILABLE ACCESSORIES

- ACRFF
- ACRSCUN

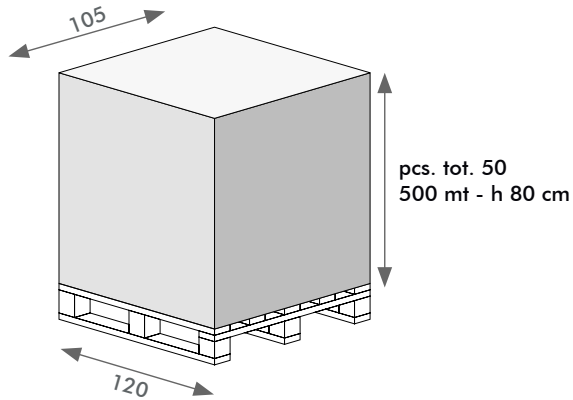


Technical detail



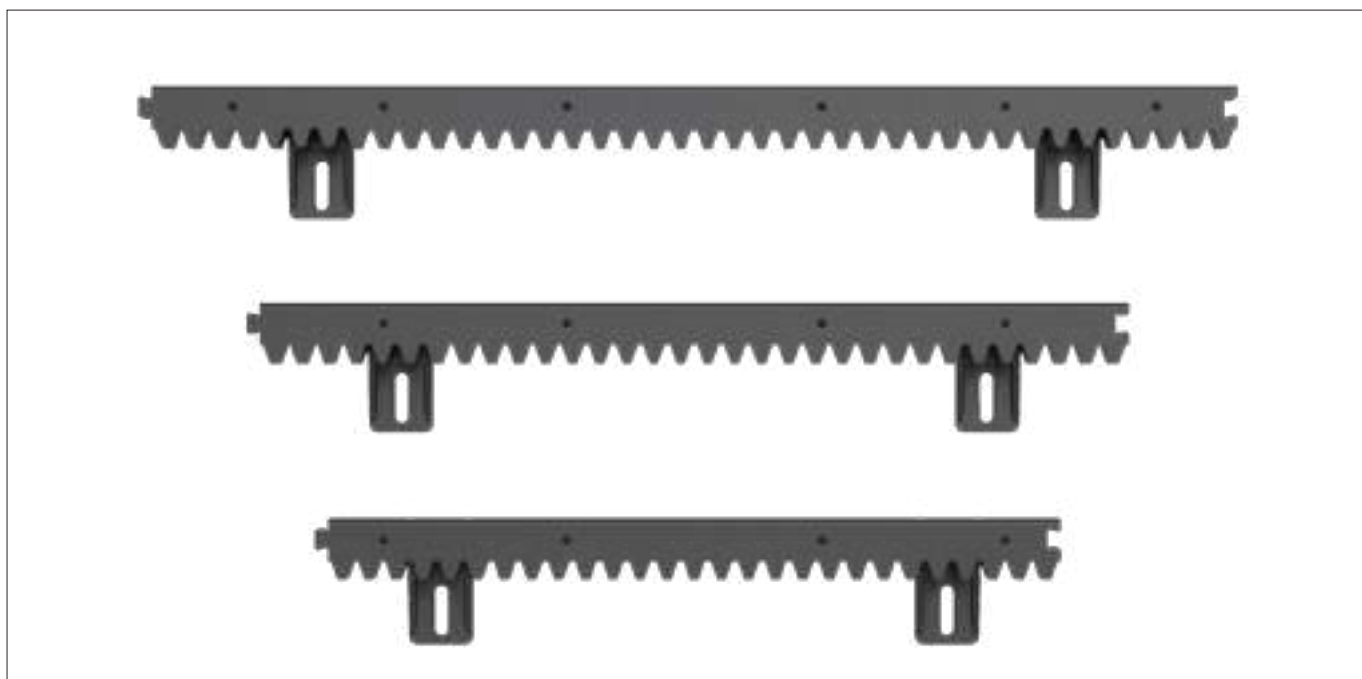
Product details

PALLET DIMENSIONS



ACRS20Z

Width:	20 mm
Partial height:	15 mm
Total height:	48 mm
Length:	1.000 mm
Weight:	3.335 g
Capacity:	300 Kg
Number of junctions:	0



N233 - N240 - N250

Stagnoli is launching a new range of modular racks for gates. Nylon racks with steel core, module 4 compatible with all type of automations. These racks are excellent for automation kits, storage and shipping. The product is ideal for markets such as large-scale distribution GDO and DIY.

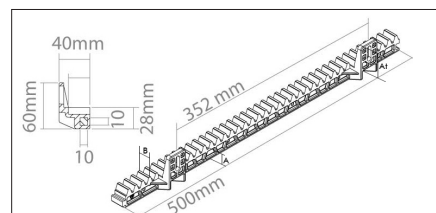
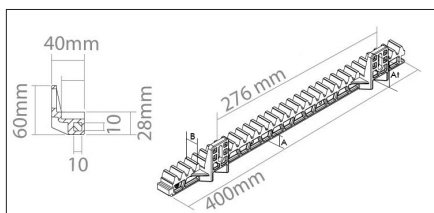
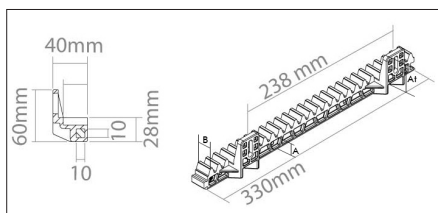
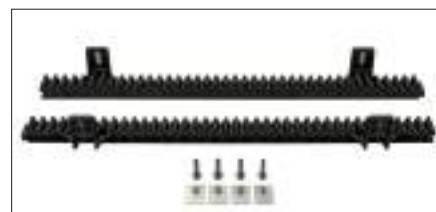
N233K



N240K



N250K



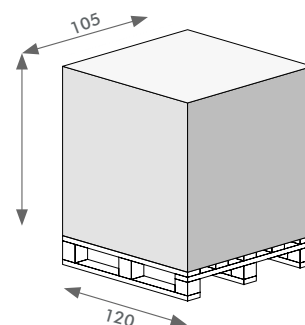
Dovetail alignment system



Steel core

AVAILABLE ACCESSORIES

- SAC012
- SAC012
- ACRFF
- ACRSCUN



500 mt - h 80 cm
700 mt - h 105 cm
1000 mt - h 145 cm


	Width	Partial height	Total height	Length	Capacity	Weight	Number of junctions
N233K	19mm	19mm	59mm	330mm	380gr	700kg	2
N240K	19mm	19mm	59mm	400mm	450gr	700kg	2
N250K	19mm	19mm	59mm	500mm	550gr	700kg	2

Accessori



SACN5
Fixing kit for racks with ACRN5.
30 screws (5 screws per meter of rack)

01



SAC014
Fixing kit for racks with 6 overlapping.
18 screws (ACRVA) + 6 washers (ACRR)

02



SAC012
Fixing kit for racks with 6 overlapping.
10 sets of 6 screws (ACRVA) + 6 washers (ACRR)

03



SAC013
Fixing kit for racks with 4 overlapping.
10 sets of 4 screws (ACRVA) + 4 washers (ACRR)

04



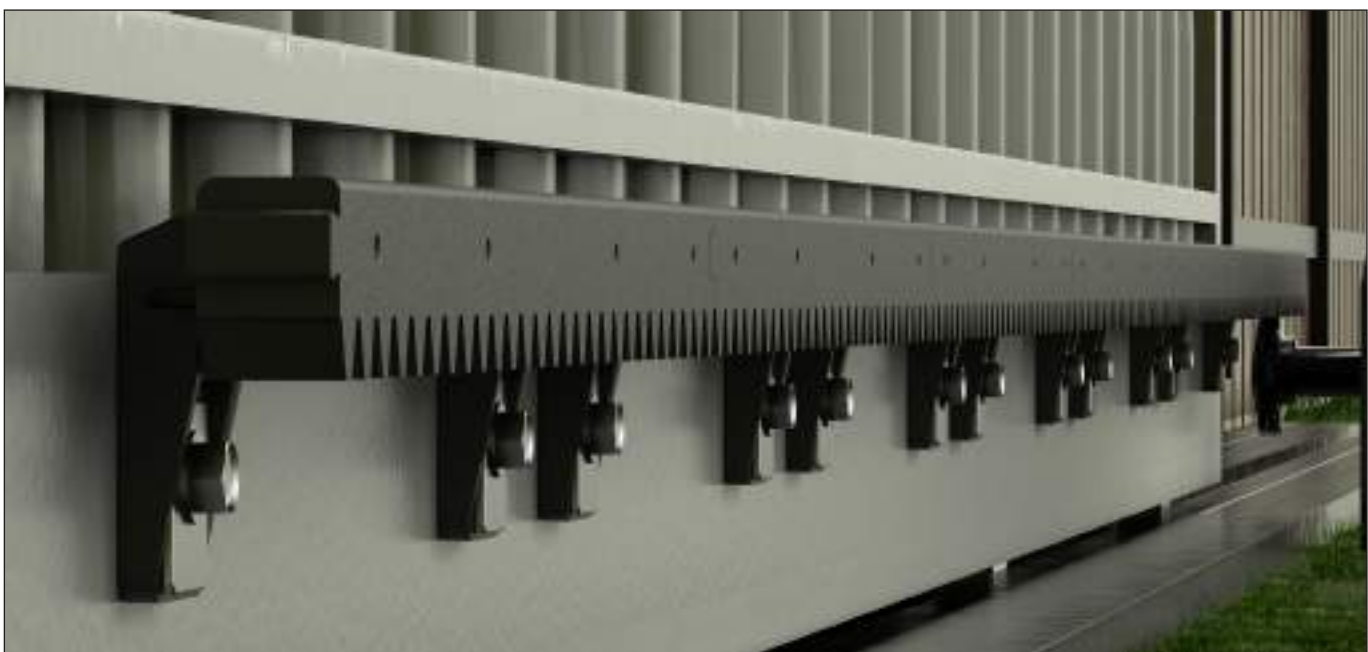
ACRFF
Pair of iron limit switch cams

05



ACRSCUN
Pair of universal switch limit cams (to be used with ACRS20Z rack)

06



Fields of Application



CIVIL USE

GATES SLIDING

Sliding gates made of sturdy steel profiles are supplied as a complete element, with an opening width of up to 16 m. Thus, in the case of opposing systems, a width of 32 meters can be reached. The structure is self-supporting.

HANGAR AND SHEDS

The main feature of metal hangars for helicopters or airplanes is the speed of assembly, combined with great resistance to wind and snow loads.

Kopron helicopter hangars arrive the size can guarantee the maximum convenience of storage and maintenance of aircraft. They reach widths of up to 40 meters and infinite lengths.

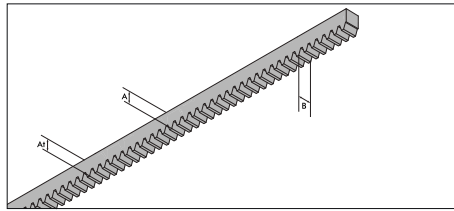




ACRM2

M4 30X8X1000mm

galvanized steel rack complete with accessories Max 2200 Kg.
(3pz.x mt)

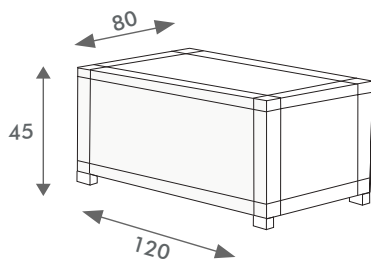


Technical detail



Product details

PALLET DIMENSIONS



pcs. tot.500

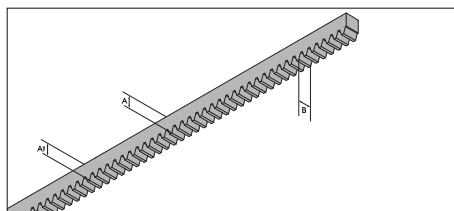
ACRM2

Width:	8 mm
Partial height:	30 mm
Total height:	30 mm
Lenght:	1.000 mm
Weight:	1.700 g
Capacity:	1.200 Kg
Number of junctions:	3

ACRM3

M4 30X12X1000mm

galvanized steel rack complete with accessories Max 2200 Kg. 4m package.
(3pz.x mt)

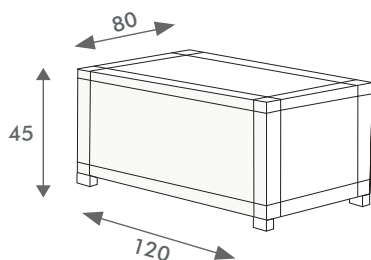


Technical detail



Product details

PALLET DIMENSIONS



pcs. tot.500

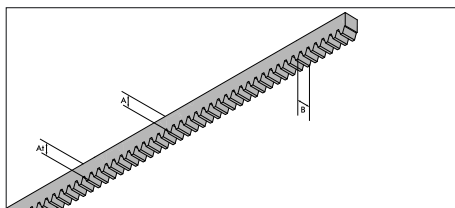
ACRM3

Width:	12 mm
Partial height:	30 mm
Total height:	30 mm
Lenght:	1.000 mm
Weight:	2.530 g
Capacity:	2.200 Kg
Number of junctions:	3

ACRM3-2000

M4 30X12X2000mm

galvanized steel rack complete with accessories Max 2200 Kg.
(3pz.x mt)

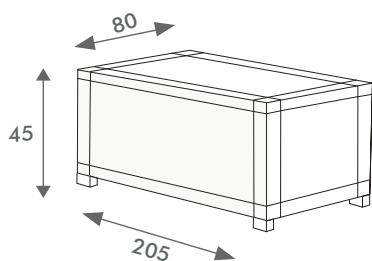


Technical detail



Product details

PALLET DIMENSIONS



pcs. tot.250

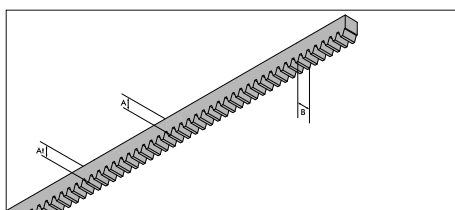
ACRM3-2000

Width:	12 mm
Partial height:	30 mm
Total height:	30 mm
Lenght:	2.000 mm
Weight:	4.778 g
Capacity:	2.200 Kg
Number of junctions:	4

ACRM1

M4 22X22X1000mm

galvanized steel rack Max 4000 Kg.
(3pz.x mt)

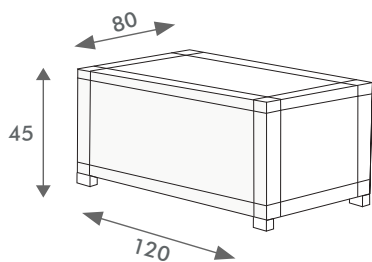


Technical detail



Product details

PALLET DIMENSIONS



pcs. tot.500

ACRM1

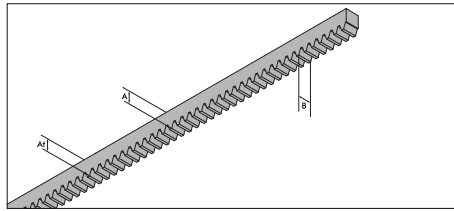
Width:	22 mm
Partial height:	22 mm
Total height:	22 mm
Lenght:	1.000 mm
Weight:	2.400 g
Capacity:	4.000 Kg
Number of junctions:	0



ACRM1-2000

M4 22X22X2000mm

galvanized steel rack Max 4000 Kg.
(3pz.x mt)

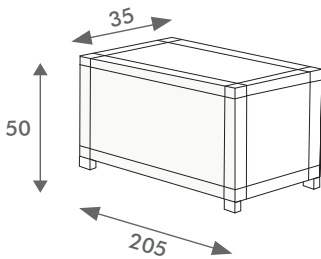


Technical detail



Product details

PALLET DIMENSIONS



pcs. tot.250

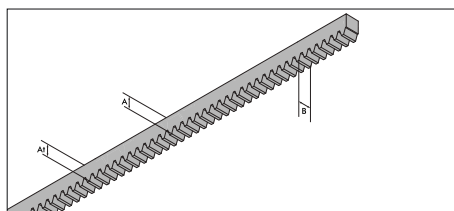
ACRM1-2000

Width:	22 mm
Partial height:	22 mm
Total height:	22 mm
Length:	2.000 mm
Weight:	6.000 g
Capacity:	4.000 Kg
Number of junctions:	4

ACRM6

M6 30X30X1000mm

galvanized steel rack Max 4000 Kg.
(3pz.x mt)

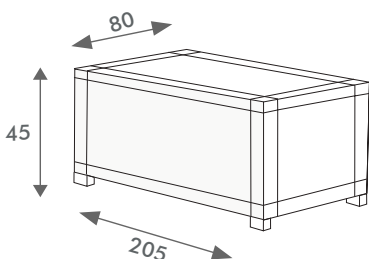


Technical detail



Product details

PALLET DIMENSIONS



pcs. tot.250

ACRM6

Width:	30 mm
Partial height:	30 mm
Total height:	30 mm
Length:	1.000 mm
Weight:	7.070 g
Capacity:	4.000 Kg
Number of junctions:	0

General conditions of sale

Both Parties agree that all sales of products (hereinafter "Products") made by Stagnoli TG S.r.l., with headquarters in Lonato d/G, Via Mantova traversa 1,105 (hereinafter " Stagnoli") to customers (hereinafter the "Customer") are regulated by these General Conditions, being an integrating part of the contract existing between the parties and replacing any other different clause contained in previous agreements, in the order (hereinafter "the Order") or in any other document coming from the Customer.

1) Order and Order Confirmation

Stagnoli reserves the right to accept, refuse or modify, wholly or partially, the Customer's Order, according to availability of stock and current production capacity, in conformity with these General Conditions.

Should Stagnoli modify the Order made by the Customer, the modified Order shall have the value of a new offer and must be accepted in writing by the Customer, also by fax, otherwise the Order will be cancelled. It remains agreed that, in any case, the lack of an explicit Order Confirmation from Stagnoli (hereinafter, the "Order Confirmation") shall not be considered as a tacit acceptance of said Order.

In compliance with these General Conditions, Orders may not be, under any circumstances or in any way, cancelled or modified, either wholly or partially by the Customer once Stagnoli has dispatched the Order Confirmation unless otherwise agreed between the Parties.

Should the order be cancelled, wholly or partially, after Stagnoli has dispatched the Order Confirmation, as in the case that the Customer refuses to collect the ordered goods, Stagnoli shall have the right to obtain payment from the Customer of the full price of the ordered goods, as well as a right to major damages.

2) Prices

Stagnoli sells and the Customer buys at the prices indicated in the Stagnoli Price List (hereinafter the "Price List"), always intended ex works and exclusive of VAT (hereinafter the "Price" or the "Prices").

The Customer shall pay the List Prices in force on the date of each delivery of Products to the Customer. Each new Stagnoli Price List cancels and replaces all those previous, as from the date on which it is adopted.

The Customer undertakes to accept, unconditionally, all changes to the Price List made between the date of each Order and the date of the relative delivery.

3) Conditions of Payment

Unless otherwise agreed in writing by the Parties, the Price shall be paid according to the terms and conditions stated in the Stagnoli invoice. In absence of such indication in the invoice or different written agreement between the Parties, payments are to be made within 30 (thirty) days from the end of the month of the issue of the invoice relative to the sold Products. Payments are to be made by means of bank transfer or bank remittance.

Lack of payment of the Price within the expiry of the single invoice shall automatically generate passive interest, without the need of any communication or the placing in the fault of the Customer by Stagnoli. Said interest shall be applied from the day after the expiry of the single invoice and until the date of the effective payment, and shall be calculated on the basis of law D. Lgs. 231/2002.. In

these cases, further to interest, Stagnoli shall have right to the integral reimbursement of costs borne to recover any sums not punctually received, save, in any case, the refunding of major damages.

Notwithstanding the above, in the case of split-delivery Orders, should the Customer delay payment, even for one delivery or a part of it, with respect to the forecast expiry, Stagnoli shall have the right to suspend further deliveries until the whole outstanding sum has been paid, without prejudice to the right to cancel the contract in compliance with the following art. 12.

4) Terms of delivery

Delivery terms of Products are those indicated in Stagnoli's Order Confirmation.

The Products are sold ex works, from the factory of Stagnoli TG S.r.l. or a secondary branch which will be indicated to the customer each time. Stagnoli fulfils the obligation to deliver the Products by consigning the same to the carrier. Stagnoli shall be considered free of this obligation in all cases where consignment to the carrier has become impossible or exceedingly expensive, due to major force or unforeseen circumstances such as, purely for example, strikes, impossibility to procure raw materials, wars or terrorist attacks, massacres meteorological events or any other event outside Stagnoli's control. The Parties expressly agree that a simple delay in delivering the Products does not attribute any right to the Customer to request cancellation of the contract or to refuse collection of the Products, or not to pay the relative Price. On his side, the Customer undertakes to do all the necessary to collect the goods once they are available.

For any delays on the Customer's part in collecting the goods Stagnoli shall have the right, further to payment of the Price, to payment of costs connected with the storage of the goods in Stagnoli warehouses, third-party warehouses, or those of the carrier, save, in any case, the right to refunding of any damages. Furthermore, if the Products are collected late, the Customer personally assumes all risks for any damage deriving from storage of the goods, be it in Stagnoli warehouses, those of appointed third parties, or the carrier.

5) Deliveries

Unless otherwise agree in writing, Stagnoli, in the name and on behalf of the Customer, will name a trusted carrier or a carrier indicated by the Customer to deliver the Products, and the cost will be included each time in the invoice to the Customer. In any case, should the Product be stolen, lost or damaged, even partially, during transport and the events not directly caused by Stagnoli, the Customer shall be liable to pay the whole Price to Stagnoli, save the right to take action against the carrier and /or the third party resulting to be responsible. Save the responsibilities of the appointed carrier, all risks linked with the transport of the Products from the Stagnoli factory to the Customer's address or the place indicated by the Customer for delivery shall remain entirely to the Customer's charge.

Unless otherwise agreed between the Customer and Stagnoli, deliveries are not covered by any insurance policy other than the policy eventually stipulated by the carrier.

6) Warranties

6.1 Stagnoli guarantees that the Products in the Price List have been accurately manufactured, tested and inspected. Furthermore, Stagnoli supplies the Customer with a warranty for the Products against manufacturing faults for a period of 24 (twenty-four) months from the date of delivering the Products. Warranty will be granted to the final user and will be exclusively managed from the seller of the Product in compliance with Consumer Code and Art. 190 and ss Civ. Code. The period of the warranty shall be extended to 36 (thirty-six) months in case the Customer- seller agreed to the Stagnoli training program. The warranty will be honored by Stagnoli after the presentation of a fiscally valid document (invoice) relative to the sale of the Products to the Customer and the relative transport document. The defect and/or malfunction must be reported by the Customer to Stagnoli in writing (also by fax) within a maximum limit of 60 (sixty) days from the date of its discovery, otherwise the warranty will not be valid. The figured defects must be immediately reported in the delivery moment, otherwise the warranty will not be valid.

6.2 By effect of the warranty, the seller must identify the defect and, where is possible, proceed with repair or the replacement of the faulty Products or components and the payment of the costs concerning the replacing (transport, replacement work)

6.3 When the detected non conformity is due to Stagnoli manufacturing process, the Customer-seller shall be allowed to the right of refunding against Stagnoli. However, Stagnoli warranty will not be valid in cases of damage, malfunctions or faults deriving from the incorrect installation of the Products differing from the indications given in the appropriate instructions for installation, supplied each time with the Products, as well as the relative standards in force at the time of installation and the general safety rules applied to this sector. Stagnoli declines equally all responsibility for the non-observance, by the Customer or other user of the Products, of the safety standards and good rules of practice for the use and maintenance of said Products. It is agreed that the Stagnoli warranty shall not be valid in all cases in which the Products are not installed by qualified staff (who issue a suitable certificate) and in all cases in which the Products are installed and/or used with accessories, complementary automotive articles, non-original mechanical or electronic parts supplied by other parties. Finally, it is expressly agreed that Stagnoli shall not be responsible toward the Customer or third parties for any indirect, accidental or consequent damage suffered by the latter, including, purely for example, loss of production, reduced profits, loss of concluded contracts, waiver of commercial opportunities.

7) Split-delivery sales

When deliveries of sold Products are split, as well as the case of Price paid by installments, ownership of the goods is transferred to the Customer only after the Price, relative to the supplied Products, have been paid. It is agreed that, however, the Customer assumes all risks relative to the Products as from the time of delivery, even when the goods have already been delivered, in compliance with previous article 4.

8) Brands and industrial property

Stagnoli guarantees its ownership or, in any case, to fully and freely own the registered brands that distinguish the Product. All persons are therefore forbidden to remove, cancel, integrate, alter in any way or replace with others, the brands, marks and other distinguishing signs applied to the Products, to their components or on their packaging. Unless authorized in writing by Stagnoli, all persons are expressly forbidden to reproduce (wholly or partially) the brands and any other distinguishing marks owned by Stagnoli, nor may they use them in any other way for their own purposes or those of third parties. The Customer and other third parties are forbidden to reproduce, copy or imitate in any way the Products patented by or on behalf of Stagnoli or protected by other rights of industrial or intellectual property in favor of Stagnoli

9) Privacy

Both parties under take to apply all the measures necessary to adequately safeguard privacy of information received regarding or due to the supply of the Products

10) Governing Law and Competent Court

These General Conditions and contractual terms for the sale of the Products are subject to Italian Law. Any controversy arising with reference to the interpretation and application of the General Conditions, as well as the execution of supply governed by the same, shall be referred to the competent judge at the Court of Brescia.

11) Modification to General Conditions

Possible modifications of these General Conditions shall be effective unless previously agreed between the Parties in writing.

12) Resolute Clause

In the case of non-fulfillment of the obligation to pay the Price as stated in previous articles 2 and 3, or in the absence of collection of the Products by the Customer, Stagnoli may send the defaulting Party notice to comply, by either registered mail or telefax.

After a fruitless period of 15 (fifteen) days from the date of notice without any effect, Stagnoli shall consider cancelled the contract regulated by the General Conditions. In conformity with the Law, Stagnoli shall also have the right to request cancellation of the contract if the Customer is declared bankrupt or submitted to any other legal procedure and/or put into liquidation.

13) Final Clauses

The invalidity and/or the inefficiency of one or part of the clauses in these General Conditions do not render invalid or inefficient any of the others.

The partial or delayed exercise of any right, power or faculty foreseen in these General Conditions do not constitute the waiver of either Party with regard to the same

The Customer Having viewed and expressly accepted the clauses contained in articles 3) Payment; 4) Terms of delivery; 6) Warranties; 7) Split-delivery sales; 10) Governing Law and Competent Court; 12) Resolutive Clause; of these General Conditions of Sale, referred to articles 1341 and 1342 of Civil Code.

WWW.STAGNOLI.COM

Stagnoli s.r.l.
Via Mantova Traversa 1, 105 a/b
25017 Lonato - Brescia - Italia
e-mail: info@stagnoli.com

