



Available
in Stock

Racks Modular

Stagnoli is launching a new range of modular racks for gates. Nylon racks with steel core, module 4 compatible with all type of automations. These racks are excellent for automation kits, storage and shipping. The product is ideal for markets such as large-scale distribution and DIY.

THE ADVANTAGES OF THE NYLON RACK:

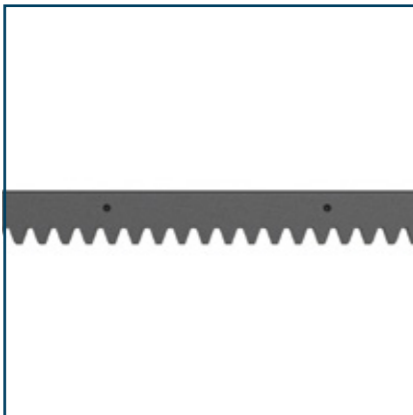
- SILENCE
- SELF-LUBRICATION
- LIGHTNESS
- RESISTANT TO ATMOSPHERIC AGENTS
- ECONOMY

Racks kit

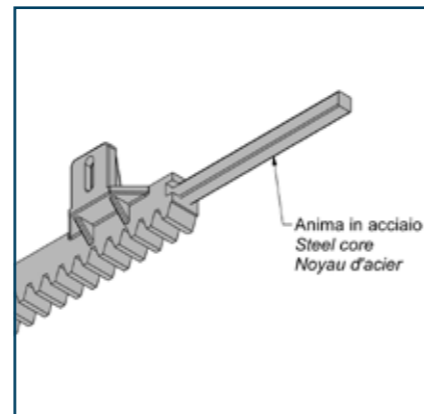
Dovetail alignment system



Optimized toothing to reduce the noise



Steel core



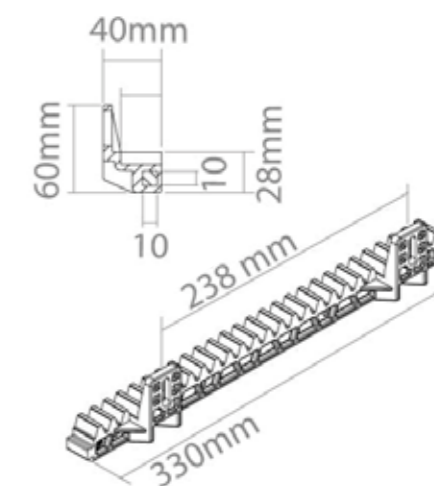
THE RANGE

N233K

N233K, kit consisting of:

- 3 racks of 33cm
- 6 self-drilling self-tapping screws
- 6 galvanized steel washers
- box

6x
6x

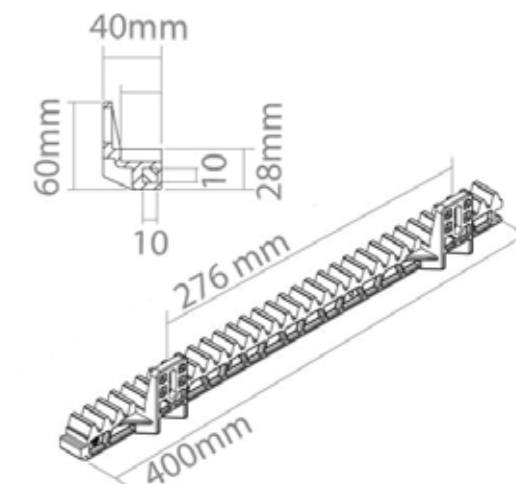


N240K

N240K, kit consisting of:

- 2 racks of 40cm
- 4 self-drilling self-tapping screws
- 4 galvanized steel washers
- box

4x
4x



N250K

N250K, kit consisting of:

- 2 racks of 50cm
- 4 self-drilling self-tapping screws
- 4 galvanized steel washers
- box

4x
4x

